



RTC-16-CP 160

Realtime X-Ray Inspection System



The RTC-16-CP 160 Real Time X-ray Systems are designed and produced in Marietta Georgia under ISO 9001 and AS 9100 C Quality Standards. At the center of this system is a unique Cabinet that meets all CFR 1020.4 radiation safety requirements and houses the joystick controlled manipulation system.



It ships complete with an X-ray generator, Detector, and Imaging software. Our paint shop produces a modern, attractive, inspection cabinet that can be easily installed and forklift movable for adaptability in the future.

Application and Usage Ideas to Consider

- 5-Axis manipulation for parts up to 25lbs
- Determine material types and thickness to be X-rayed: Steel, plastics, alloys, rubber and more
- Sliding incorporated into full front swinging door
- One Year Warranty on Parts and Labor
- 160kV Shielded
- Additional resources available for first time X-ray installations - Radiation safety plan assistance



RTC-16-CP 160

Realtime X-Ray Inspection System

Dimensions, Weights & Measurements

Internal Cabinet Size

44" Deep x 52" Wide x 46" High

Manipulation Capability

X=16", Y=16", Z=16"

External Dimensions

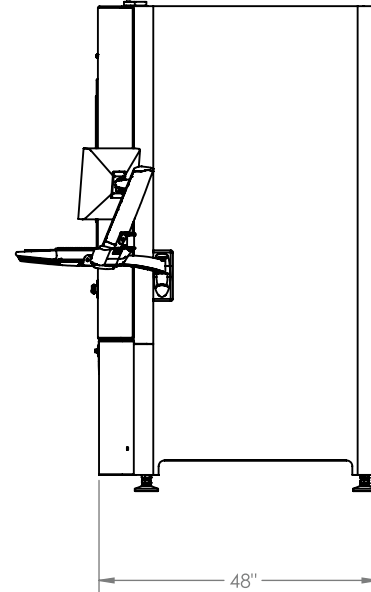
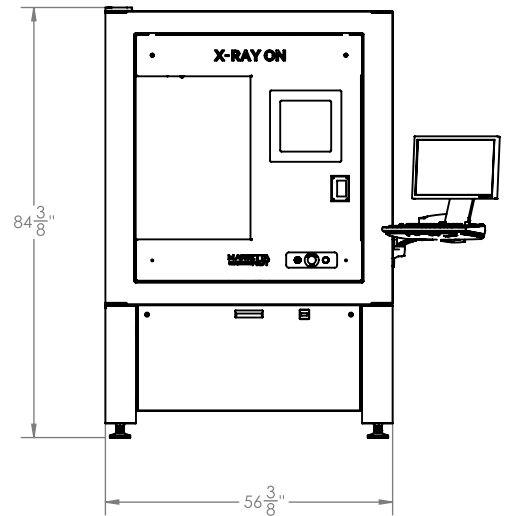
4' Height x 5' Width x 6' Depth

Estimated Overall Weight

6,100 lbs

Standard Features and Requirements

- Comet 160 kV Generator with MXR-01 Tube
- Detector: Varian 2520 Dx
- 5 Axis Part Manipulator
- X-Axis with +/- 8 inches of motion
- Y-Axis with +/- 8 inches of motion
- Z-Axis with 16 inches of motion
- Rx-Axis with +/- 30 degrees of tilt
- Rz-Axis with 360 degrees of rotation
- Color: White



Power Requirements for Comet XRS 160HP/2250/2 System

- XRP-Power 2250 (2250W)
- Mains voltage 230 V +10% -15%
- Cabinet requires 110 VAC

Varian PaxScan 2520 DX Flat Panel Detector

- Real Time High Resolution Imaging Device
- Approximate Imaging Area: 7.68" x 9.60"

Software Features

- Image Capture: .bmp, .tif or jpg format
- Image Processing
- Length Measurement
- Line Profile
- Histogram Analysis
- Area Calculation

Options

- Microfocus X-Ray Generators
- Comet 225 kV Generator
- Additional Detectors

